

TECHNICAL SPECIFICATIONS

Review date: 31/05/18



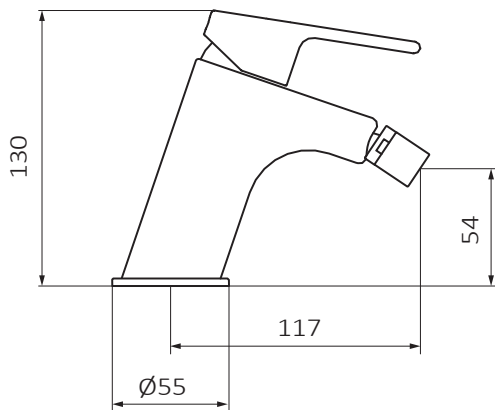
SERIE: **WINNER**

PRODUCT: **Bidet mixer**

CHARACTERISTICS: **without clic-clac waste**

FINISH: **chrome**

CODE: **44 710 440**



TECHNICAL SPECIFICATIONS:

- › Recommended pressure: **1 to 5 bar**
- › Maximum pressure of use: **10 bar**
- › Connexion dimensions according to **UNE EN-817**
- › Flow **3 bar min 12 l/min**

MATERIAL SPECIFICATIONS:

- › **Brass made**
- › **Metallic** handle
- › Niquel-chrome finish tested in salt spray according to **UNE-19703 and UNE-19709**
- › Acustics according to **UNE-EN 817**

USE SPECIFICATIONS:

- › Flexible connection hoses