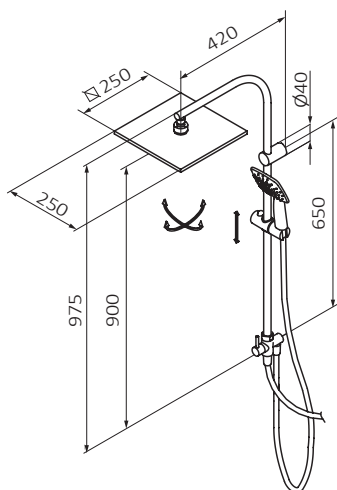


TECHNICAL SPECIFICATIONS

Review date: 25/06/18



SERIE: **WINNER**

PRODUCT: **Mixer with fixed external column**

CHARACTERISTICS: **□250 mm ABS square**

FINISH: **chrome**

CODE: **44 466 440**

TECHNICAL SPECIFICATIONS:

- › Recommended pressure: **1 to 5 bar**
- › Maximum pressure of use: **10 bar**
- › Connexion dimensions according to **UNE EN-817**
- › Flow **3 bar min 12 l/min**

MATERIAL SPECIFICATIONS:

- › **Brass made**
- › **Metallic handle**
- › Niquel-chrome finish tested in salt spray according to **UNE-19703 and UNE-19709**
- › Acustics according to **UNE-EN 817**

USE SPECIFICATIONS:

- › Column with full use of height (75 mm only from the showerhead and the ceiling)
- › GRB soft system
- › Adjustable support
- › 2F Vita hand-shower and Silver shower hose 170 cm
- › Diverter on column
- › □250 mm Square pivoting showerhead
- › Connected from the valve to the column by a 50 cm hose